

Electronics and software for FUJIFILM Dimatix™ printheads

Robust, cost-effective solutions

- trusted and proven Dimatix partner since 2006
- modular components for scalable implementation
- powerful data path and application software
- off-the-shelf, production-ready solutions

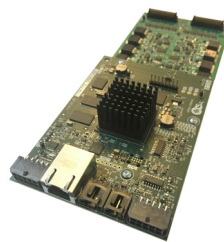


for Samba



Meteor HDC-SB

for Samba (variable data)



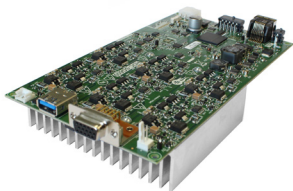
Meteor PDS-2SBZ

for StarFire SG-1024



Meteor HDC-SF

for SG600



Meteor HDC-SG600

for Galaxy, Nova, S-Class



Meteor HDC-S

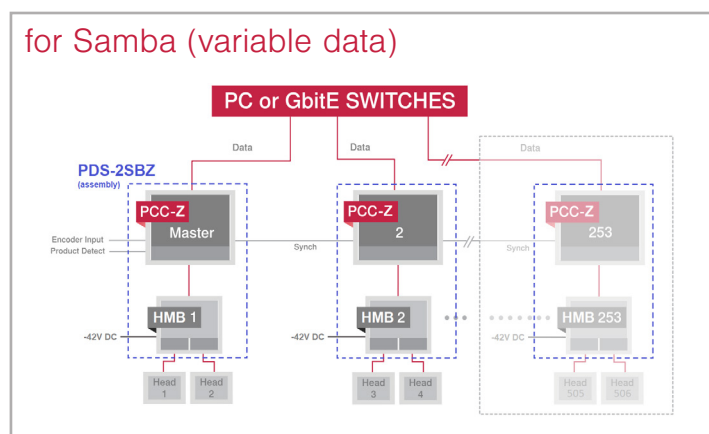
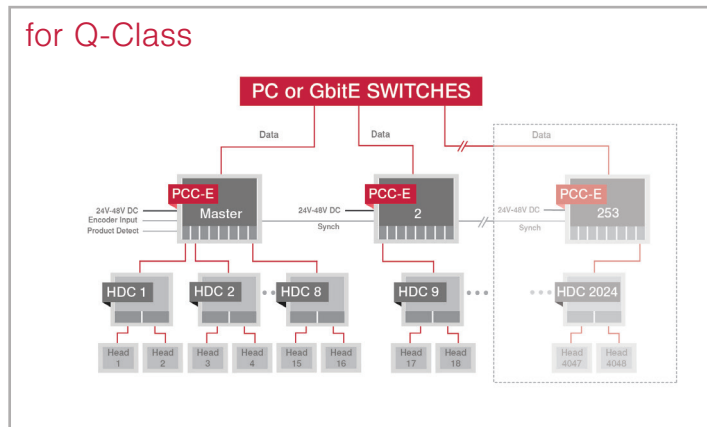
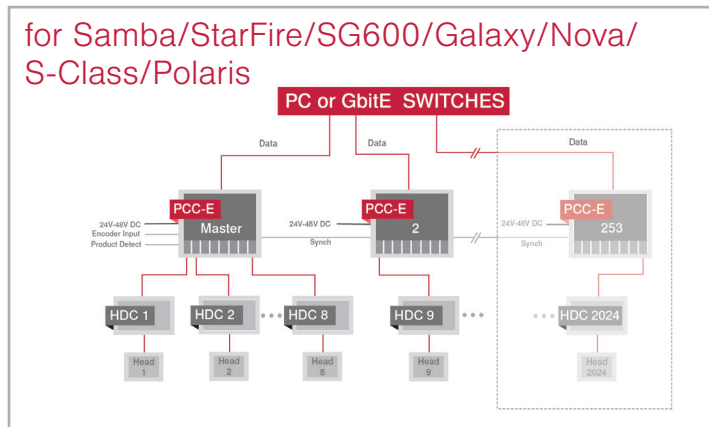
for Q-Class & Polaris



Meteor HDC-Q

Meteor's comprehensive suite of software includes SDKs, application-tuned DFEs, configuration tools, embedded RIP, screening and calibration capabilities and more.

Architecture



Dimatix Printhead	Meteor Product	Meteor Model Number	Physical Dimensions (mm)
Samba	Head Driver	HDC-SB	175 x 70 x 25
	GbitE Print Controller	PCC-E	160 x 100 x 21
	Drop Tuner	DT-SB	
SG600	Head Driver	HDC-SG600	180 x 100 x 15
	GbitE Print Controller	PCC-E	160 X 100 X 21
	Drop Tuner	DT-SG600	
StarFire SG-1024	Head Driver	HDC-SF	183 x 100 x 16
	GbitE Print Controller	PCC-E	160 x 100 x 21
	Drop Tuner	DT-SF	
QS-256, QE-256 (Q-Class)	Head Driver	HDC-Q	140 x 100 x 17
	GbitE Print Controller	PCC-E	160 x 100 x 21
	Drop Tuner	DT-Q	
PQ-512 (Polaris)	Head Driver	HDC-PQ	HDC-Q + adaptor board
	GbitE Print Controller	PCC-E	160 x 100 x 21
	Drop Tuner	DT-Q	
Galaxy, Nova, S-Class	Head Driver	HDC-S	129 x 89 x 20
	GbitE Print Controller	PCC-E	160 x 100 x 21
	Drop Tuner	DT-S	

*Specifications may change without prior notice.

ALSO FROM METEOR

software • drop optimisation systems • waveform development services

Meteor Inkjet Ltd is a leading independent supplier of industrial inkjet electronics, software, tools and services. Working closely with all major industrial inkjet printhead manufacturers, Meteor offers production-ready solutions to print system builders world-wide.



Meteor Inkjet Ltd
 Harston Mill, Royston Road,
 Cambridge, CB22 7GG UK
 enquiries@meteorinkjet.com
 +44 345 8440012
 www.meteorinkjet.com

