

Electronics and software for Epson™ printheads

Robust, cost-effective solutions

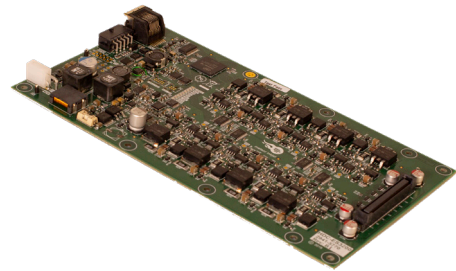
- trusted and proven Epson partner
- modular components for scalable implementation
- powerful data path and application software
- off-the-shelf, production-ready solutions

EPSON®
EXCEED YOUR VISION

Epson PrecisionCore printheads embody technology that enables outstanding image quality, productivity, durability and printhead scalability.

Meteor's complete package of solutions for Epson PrecisionCore printheads includes scalable electronics, comprehensive software and essential tools to accelerate time to market for new inkjet applications.

for S3200



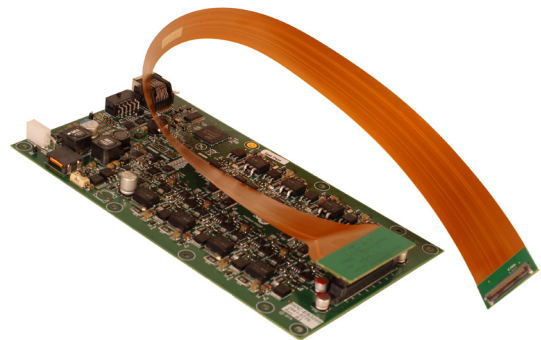
Meteor HDC-ES3200

for S1600

Image
to
come

Meteor HDC-ES3200 with C-PH-S1600 adaptor

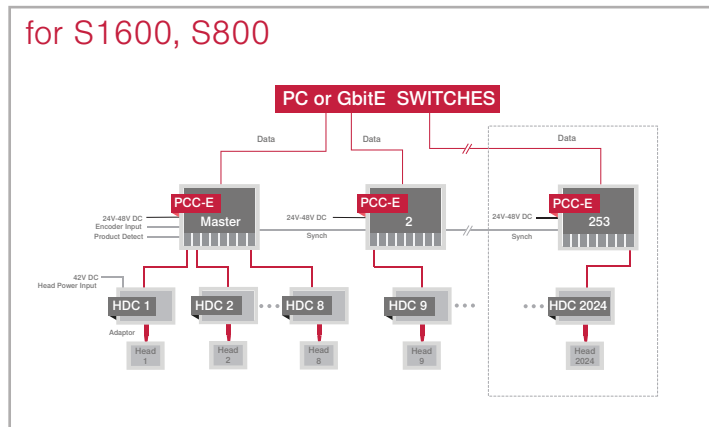
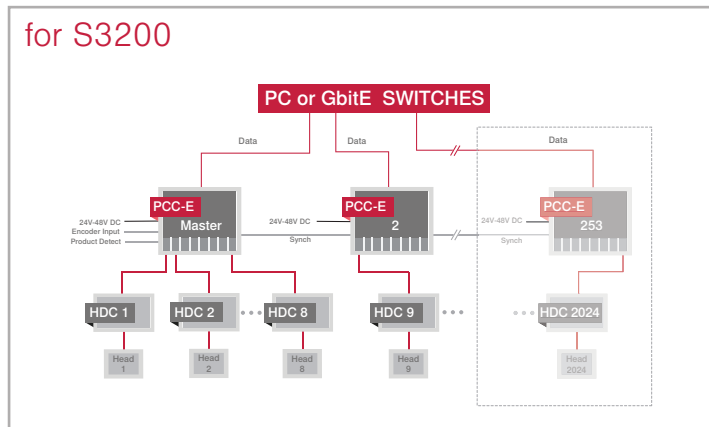
for S800



Meteor HDC-ES3200 with C-PH-S800 adaptor

Meteor's comprehensive suite of software includes SDKs, application-tuned DFEs, configuration tools, embedded RIP, screening and calibration capabilities and more.

Architecture



Epson Printhead	Meteor Product	Meteor Model Number	Physical Dimensions (mm)
S3200	Head Driver	HDC-ES3200	150 x 130 x 14
	GbitE Print Controller	PCC-E	200 x 110 x 17
	Drop Tuner	S3200	
S1600	Head Driver	HDC-ES3200	150 x 130 x 14
	GbitE Print Controller	PCC-E	200 x 110 x 17
	Adaptor	C-PH-S1600	
S800	Head Driver	HDC-ES3200	150 x 130 x 14
	GbitE Print Controller	PCC-E	200 x 110 x 17
	Adaptor	C-PH-S800	

*Specifications may change without prior notice.

ALSO FROM METEOR

software • drop optimisation systems • waveform development services

Meteor Inkjet Ltd is a leading independent supplier of industrial inkjet electronics, software, tools and services. Working closely with all major industrial inkjet printhead manufacturers, Meteor offers production-ready solutions to print system builders world-wide.



Meteor Inkjet Ltd
 Harston Mill, Royston Road,
 Cambridge, CB22 7GG UK
 enquiries@meteorinkjet.com
 +44 345 8440012
 www.meteorinkjet.com

